



CANADIAN BEVERAGE SUPPLY INC.

CHILL-MAX™ POWER PACK

1/2 HP 1-Pump 4080 BTU's

PROJECT NAME

MODEL SPECIFIED **CHILLMAX 1/2 HP 1-PUMP 4080 BTU**

PRODUCT CODE **BB991070**

LOCATION

QUANTITY

APPROVAL



PRODUCT CODE# BB991070



KEY FEATURES

- Brand name Solid State Compressor/ Condenser producing industry leading BTU output
- Rugged & light weight polymer bath for easy installation
- Thermally Efficient Bath for operating efficiency
- Digital thermostat accuracy and performance
- Lift off Top Deck for easy serviceability
- NEMA 5-15 plug in for low cost electrical installation
- Multiple rotary vane pump configuration available



OPTIONS & ACCESSORIES

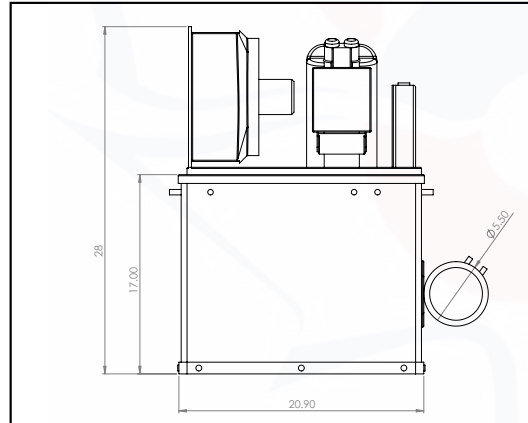
- Wall Mount Shelf (NSF)
- Floor Stand (NSF)

MODEL SPECIFICATIONS

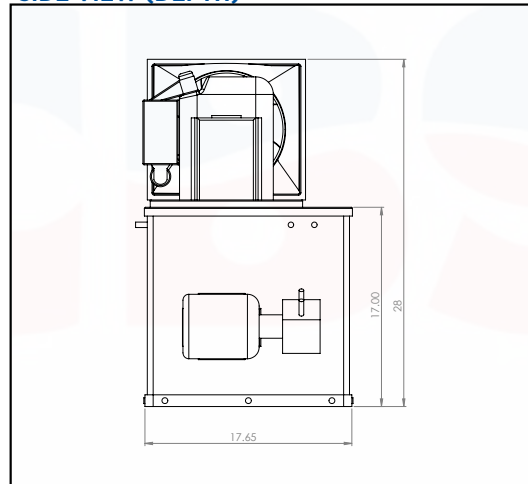
MODEL	BEF-05
BTUS/H (EVAP. @90F)	4080
PUMP FLOW (GPH)	75
COMPRESSOR FLOW (HP)	1/2
VOLTAGE (V) - 60HZ	120
PLUG TYPE	NEMA 5-15P Dedicated Circuit; 120V, 20A, 1Ph, 60Hz
AMPS (A) - CHILLER (RUNNING)	8
MIN. CIRCUIT AMPACITY (A) - CHILLER	14.5
MAX. CIRCUIT AMPACITY (A) - CHILLER	20
AMPS (A) - CIRCUIT CAPACITY (A) CIRCULATION MOTOR/ PUMP (RUNNING)	6.0
RECOMMENDED CIRCUIT AMPACITY (A) CIRCULATION MOTOR/ PUMP	10.0
REFRIGERANT	R134A
REFRIGERANT CAPACITY (OZ.)	17
NORMAL REFRIGERATION OPERATING PRESSURE (PSI)	18 (LOW) 135 (HIGH)
COOLING DISTANCE	225
DIMS W" X D" X H"	26.5" X 18" X 28.0"
DRY WEIGHT (LBS)	132
BATH CAPACITY (US GAL)	17

MODEL VIEWS

FRONT VIEW (HEIGHT)



SIDE VIEW (DEPTH)



TOP VIEW (WIDTH)

